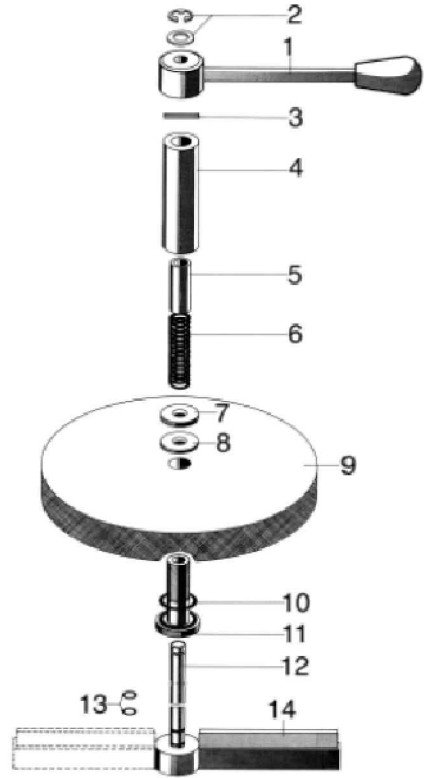
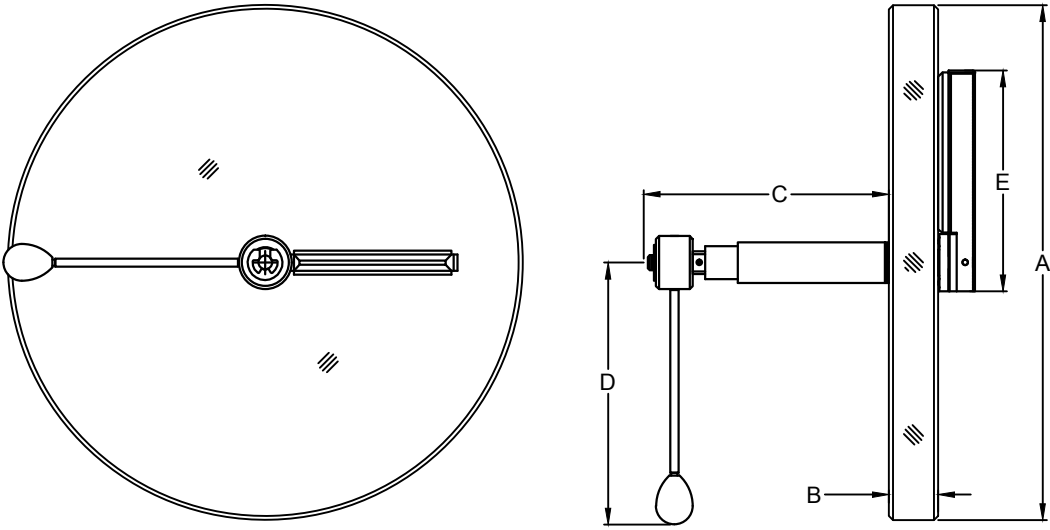


REVISION HISTORY				
ZONE	REV	DESCRIPTION	DATE	BY
-	00	ORIGINAL ISSUE	6/18/15	GCP



STANDARD DIMENSIONS					
Mode/Size	A	B	C	Fits Standard Sight Glass Model#s	Pressure Rating
TY1WW-NW50	3 ¹⁵ / ₁₆ "	3/4"	3 ⁵ / ₈ "	NW50	87 PSI
TY1WW-NW80	4 ¹⁵ / ₁₆ "	3/4"	3 ⁵ / ₈ "	NW80	65 PSI
TY1WW-NW100	5 ⁷ / ₈ "	3/4"	3 ⁵ / ₈ "	NW100	44 PSI
TY1WW-NW125	6 ⁷ / ₈ "	3/4"	3 ⁵ / ₈ "	NW125	44 PSI
TY1WW-NW150	7 ⁷ / ₈ "	3/4"	3 ⁵ / ₈ "	NW150	30 PSI
TY1WW-NW200	9 ¹ / ₁₆ "	3/4"	3 ⁵ / ₈ "	NW200	30 PSI
TY1WW-NW-3"	4 ¹⁵ / ₁₆ "	3/4"	3 ⁵ / ₈ "	3" NW-RF, BW or FT	87 PSI
TY1WW-NW-4"	5 ⁷ / ₈ "	3/4"	3 ⁵ / ₈ "	4" NW-RF, BW or FT	65 PSI
TY1WW-NW-5"	6 ⁷ / ₈ "	3/4"	3 ⁵ / ₈ "	5" NW-RF, BW or FT	44 PSI
TY1WW-NW-6"	7 ⁷ / ₈ "	3/4"	3 ⁵ / ₈ "	6" NW-RF, BW or FT	44 PSI
TY1WW-NW-8"	9 ¹ / ₁₆ "	3/4"	3 ⁵ / ₈ "	8" NW-RF, BW or FT	30 PSI
TY1WW-3SVTC	3"	1/2"	3 ⁵ / ₈ "	3" SVTC	87 PSI
TY1WW-4SVTC	4"	3/4"	3 ⁵ / ₈ "	4" SVTC	87 PSI
TY1WW-6SVTC	5 ⁷ / ₈ "	3/4"	3 ⁵ / ₈ "	6" SVTC	44 PSI
TY1WW-8SVTC	7 ⁷ / ₈ "	3/4"	3 ⁵ / ₈ "	8" SVTC	30 PSI

*Other sizes are available please contact factory for more information.

TYPE 1 Window Wipers [TY1WW]: The Type 1 window wiper features a direct, thru-the-glass mechanism that reliably wipes away residue on the inside surface of the lens. Depending on the size of the lens Type 1 Window Wipers are suitable for pressures from 29PSI [2 Bar] to 87PSI [6 Bar]. Temperature ratings range from: 350°F [177°C] with a Silicon blade to 400°F [204°C] with PTFE blade., Type 1 Wipers are available for all PAPAILIAS Circular sight glasses with a nominal ID of 3" and larger and may be used in conjunction with various illuminators and Window Washers. All interior wetted parts of the Type 1 wipers are constructed with stainless steel wetted parts.

Custom sizes and configurations are available, please contact factory.

THIS DRAWING IS THE SOLE PROPERTY OF THE J.G. PAPAILIAS COMPANY, INC AND NEITHER THE DOCUMENT NOR THE INFORMATION CONTAINED HEREIN SHALL BE COPIED, REPRODUCED, DISCLOSED OR TRANSFERRED EXCEPT AS AUTHORIZED IN WRITING BY AN OFFICER OF THE J.G. PAPAILIAS CO., INC.

Item#	Description	Standard Construction
01	Handle/Arm	Stainless Steel/Phenolic
02	Clip	Stainless Steel
03	Groove Pin	Brass
04	Threaded Spacer	Stainless Steel
05	Bushing	Stainless Steel
06	Tension Spring	Stainless Steel
07	Spring Washer	Stainless Steel
08	Gasket	Non-Asbestos Fiber
09	Lens	Tempered Glass or Lexan
10	O-Ring	Fluoroelastomer
11	Fixed Bushing	Stainless Steel
12	Blade Holer/Shaft	Stainless Steel
13	O-Rings	Fluoroelastomer
14	Wiper Blade	PTFE, Silicone or Other

SIZE	CAGE CODE	DRAWING NUMBER	REV
A	1Z740	03E00X	0
SCALE: NTS		EST. WEIGHT: SEE TABLE	SHEET: 1 OF 1

TYPE 1 WINDOW WIPER [TY1WW]